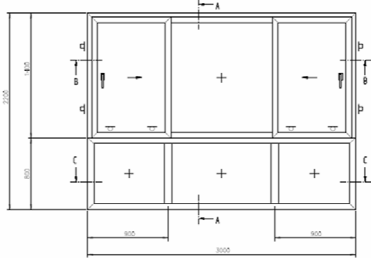
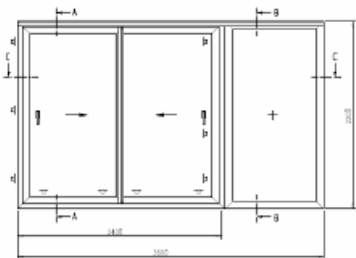
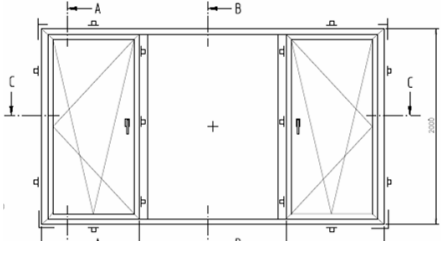


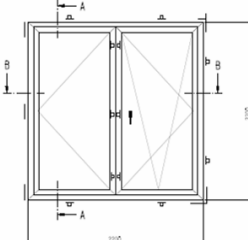
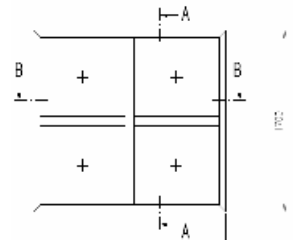
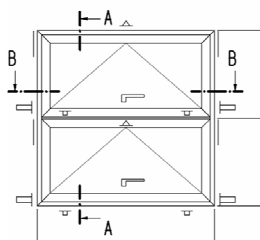
Summary Australian Standard AS 4420 Kömmerling SF 2 - Kömmerling SF 3 - Gold 58 – Premi Door

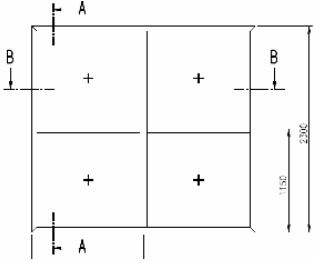
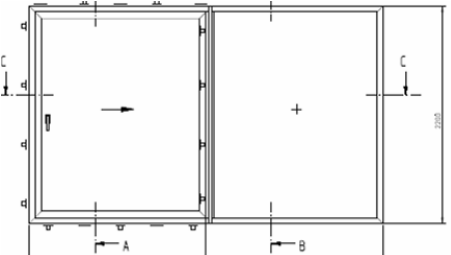
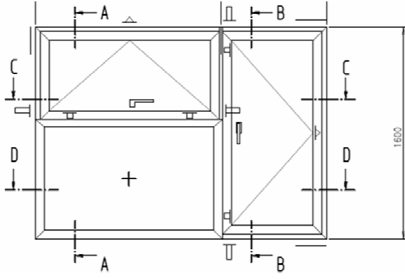
Accreditation No. DAP-PL-03228.00

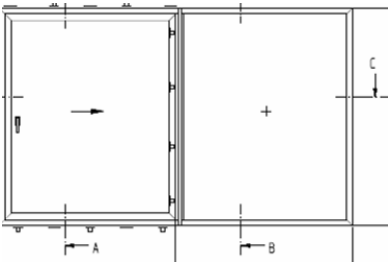
Test		Sliding window with fixed light SF 3	Sliding window with fixed light SF 2	Tilt and Turn with fixed light Gold 58 mm
				
Serviceability design wind pressure	Housing	1 000 Pa	1 000 Pa	1 500 Pa
	residential	1 000 Pa	1 000 Pa	1 500 Pa
	commercial	800 Pa	400 Pa	1 500 Pa
Air infiltration at + 75 PA - 75 PA		0.47 L/sm ² 0.50 L/sm ²	0.30 L/sm ² 0.29 L/sm ²	0.25 L/sm ² 0.22 L/sm ²
Water penetration		200 Pa	300 Pa	450 Pa
Operation force Initial / maintain		left sash 80 N / 50 N right sash 85 N / 50 N	left sash 90 N / 55 N right sash 85 N / 55 N	left sash 7.5 Nm right sash 7.0 Nm
Ultimate design wind pressure (no collapse)		1500 Pa	1500 Pa	2300 Pa

**Summary Australian Standard AS 4420
Kömmerling SF 2 - Kömmerling SF 3 - Gold 58 – Premi Door**

Accreditation No. DAP-PL-03228.00

Test		Tilt and Turn Inswing Gold	Fixed Light Gold 58	Awning - 2 Sash outward opening - Gold 58
				
Serviceability design wind pressure	housing	1 000 Pa	1 000 Pa	1 500 Pa
	residential	1 000 Pa	1 000 Pa	1 500 Pa
	commercial	750 Pa	750 Pa	1 500 Pa
Air infiltration at + 75 PA - 75 PA		0.52 L/sm ² 0.45 L/sm ²	0.11 L/sm ² 0.14 L/sm ²	0.09 L/sm ² 0.11 L/sm ²
Water penetration		450 Pa	450 Pa	450 Pa
Operation force Initial / maintain		7.7 Nm	no testing performed → fixed light	7.0 Nm
Ultimate design wind pressure (no collapse)		1500 Pa	1500 Pa	2300 Pa

Test		Fixed light - Kreuzverbinder Gold 58	Tilt and Slide Door Gold 58	Casement Multilight Gold 58
				
Serviceability design wind pressure	housing	1 500 Pa	1 500 Pa	1 500 Pa
	residential	1 000 Pa	1 000 Pa	1 000 Pa
	commercial	1 000 Pa	1 000 Pa	750 Pa
Air infiltration at + 75 PA - 75 PA		0.0 L/sm ² 0.0 L/sm ²	0.10 L/sm ² 0.10 L/sm ²	0.80 L/sm ² 0.09 L/sm ²
Water penetration		450 Pa	450 Pa	450 Pa
Operation force Initial / maintain		no testing performed → fixed light	7.0 Nm / 75 N	7.0 Nm 7.5 Nm
Ultimate design wind pressure (no collapse)		2300 Pa	2300 Pa	2300 Pa

Test*)		Premi Door
		
Serviceability design wind pressure	housing	No performance determined (npd)
	residential	
	commercial	
Air infiltration at + 75 PA - 75 PA		0.07 L/sm ² 0.06 L/sm ²
Water penetration		600 Pa
Operation force Initial / maintain		92 N
Ultimate design wind pressure (no collapse)		npd

*) This item had been tested at the ift-Rosenheim, Germany according to European Standards. The results are from the ift-test report 102 30045 from March 8th 2006.